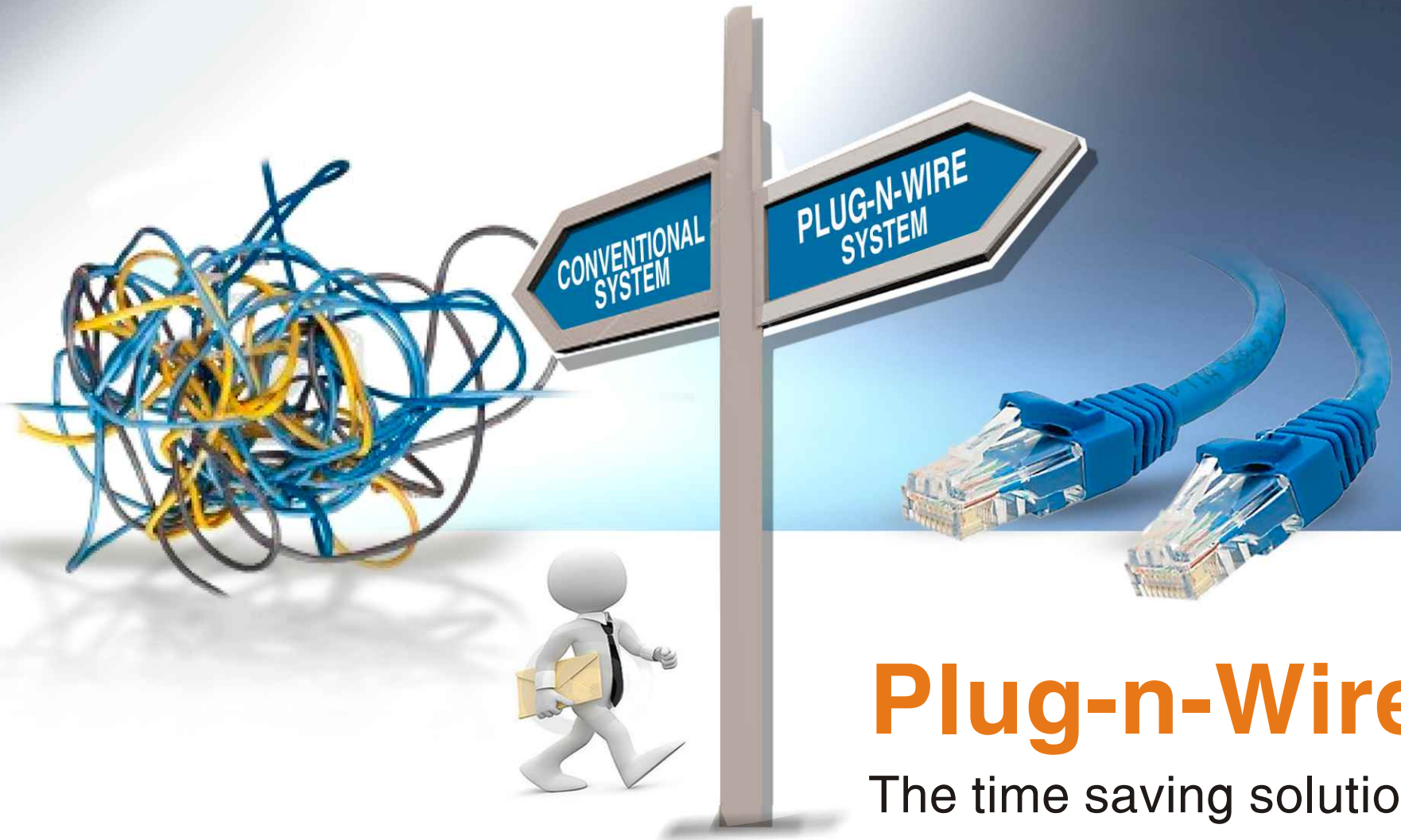


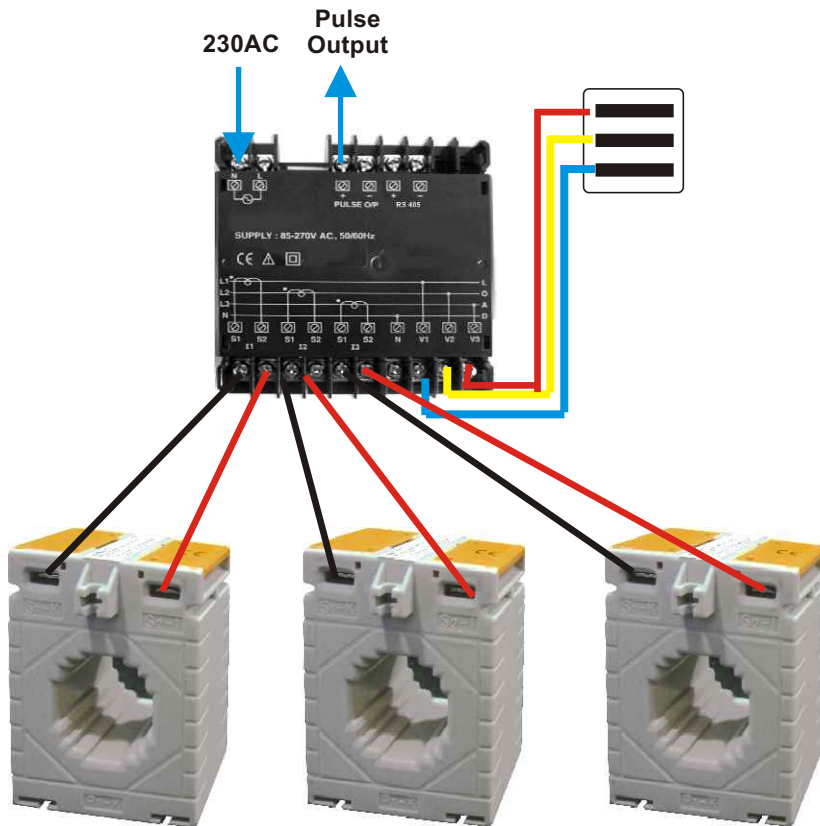
SELEC[®]
Creating Best Value



Plug-n-Wire

The time saving solution

Conventional wiring systems



1:10:00

Problems in Conventional Meter Installation

- Too much of Wiring
- Chances of Wiring Mistakes
- Need experts to install and Dismantle
- More Risk in case of CT open
- Complicated process for Servicing



Looking for Solution?



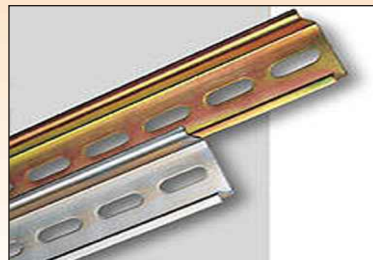
**Selec Introduces Innovative,
Simple and Safe technology**



Panel Mount



Din Rail Mount

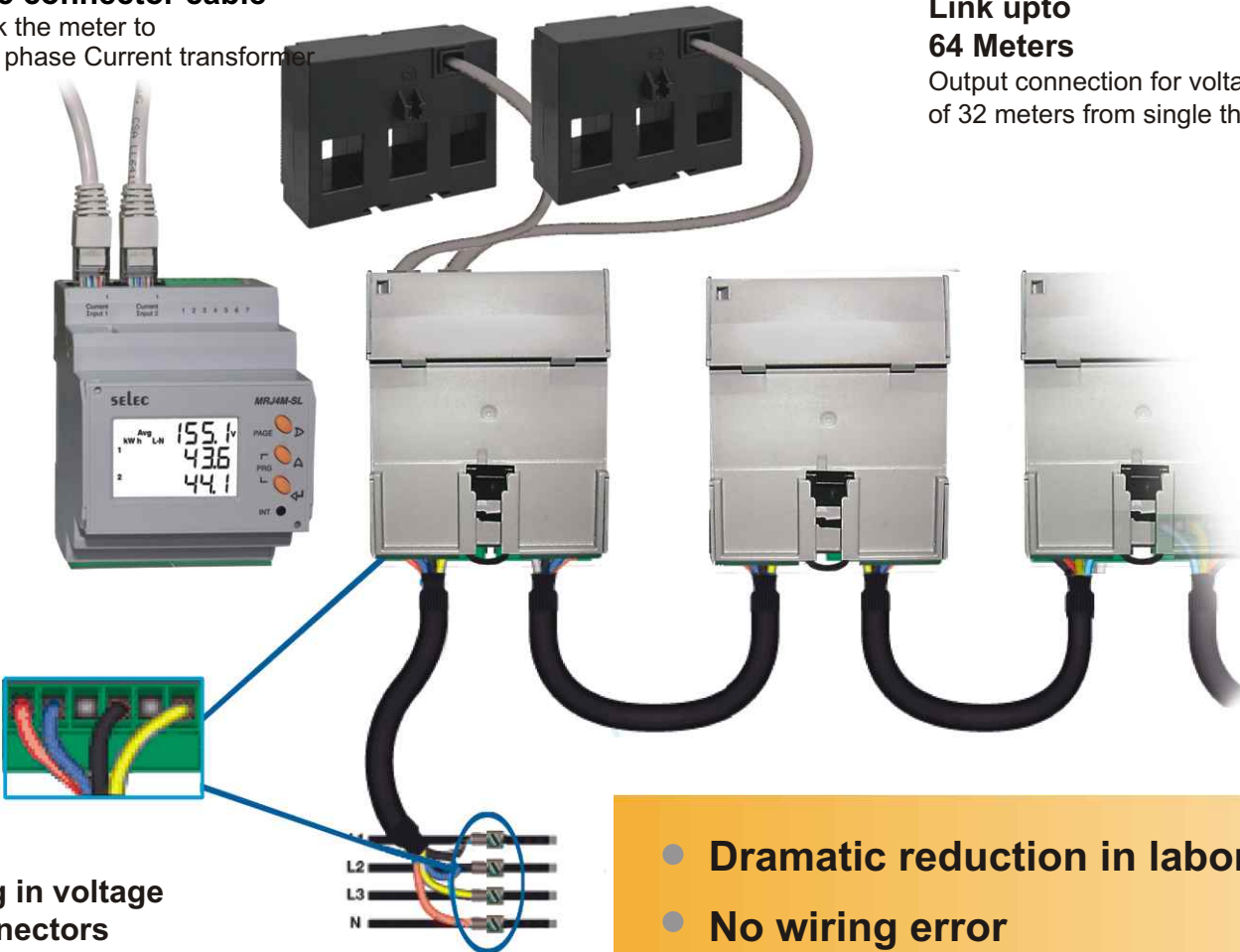


Split Load
Connects 2 loads on single meter

PLUG-N-WIRE CONNECTION WITH DUAL LOAD

RJ45 connector cable

to link the meter to the 3 phase Current transformer



Link upto 64 Meters

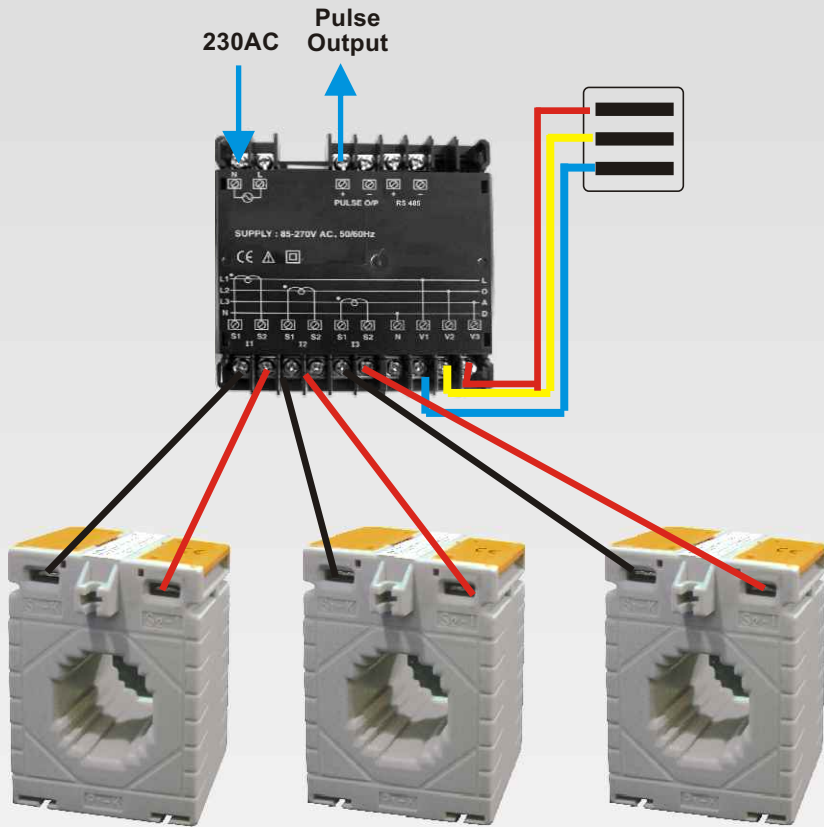
Output connection for voltage aids connection of 32 meters from single three phase source

Plug in voltage connectors

for three phase voltage signals. Meter is self powered

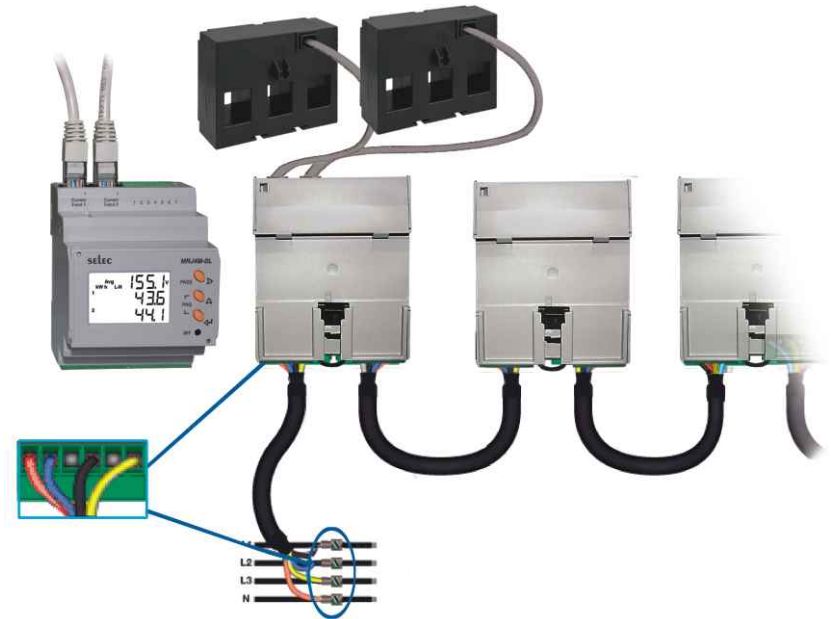
- Dramatic reduction in labor
- No wiring error
- Safe disconnection from CT (No need of shorting links)
- Save space, time & money

Conventional wiring systems



01:10:00

Plug-n-wire system



00:06:00