



Features:

- True RMS Measurement Of All Basic 3Ø Electrical Parameters
- Energy (Active, Reactive)
- Plug-n-Wire Split load current input
- Programmable CT Primary, PT Primary/Secondary
- RS485 Modbus Communication
- 2 Pulse Output
- Max Demand of power

Certifications: RoHS

Technical Specifications

Display

Display	Liquid Crystal Display with backlight
Digit	Row 1 of 4 digits and Row 2, 3 of 7 digits per line to show electrical parameters
LED Indication	For Energy Consumption

Input Specifications

Electrical Connection	3Ø-4 wire, 1Ø-2 wire
Input Voltage Range	60 to 300V AC, (Phase to Neutral) 104 to 520V AC, (Phase to Phase)
Frequency	45Hz to 65Hz
Resolution	For energy: 0.01k, 0.1k, 1k, 0.01M, 0.1M For Power, Voltage, Current: Auto resolution For Power factor: 0.01 Frequency: 0.1Hz
Accuracy	Voltage(L-N / L-L), Current: $\pm 0.5\%$ of FS. Power factor: ± 0.01 of FS. Frequency: $\pm 0.1\%$ of FS. Power (kW, kVA, kVAR): 1% of FS. Energy (Active, Reactive): 1% of FS.
Measuring Parameters	Voltage (L-L / L-N) (Individual / Average) Current (I1, I2, I3) (Individual), Frequency Power Factor (Individual / Average), Active, Reactive & Apparent power (Individual / Total), Active Energy and Reactive Energy, Total Active Energy and Reactive Energy (Current input-1 plus Current input-2), Demand (Max Active Power, Max Apparent Power)
Power Consumption	8VA Max

Output Specifications

Pulse Output	Pulse output: 2 Opto-isolated Voltage Range: 24V DC max. Current Capacity: 100mA max. Pulse Duration: Selectable between 0.1 to 2.0 sec. Pulse Weight: Selectable between 0.01 to 9.99 kWh
Communication	RS485 MODBUS Communication

Supply Specifications

Self Supplied (V1, N)

Resettable Parameters

C.T Primary-1	5A to 10,000A programmable for any value
C.T Primary-2	5A to 10,000A programmable for any value
C.T Secondary	330mV
P.T Primary	100V to 10kV programmable for any value
P.T Secondary	100V to 500V AC (L-L) programmable for any value

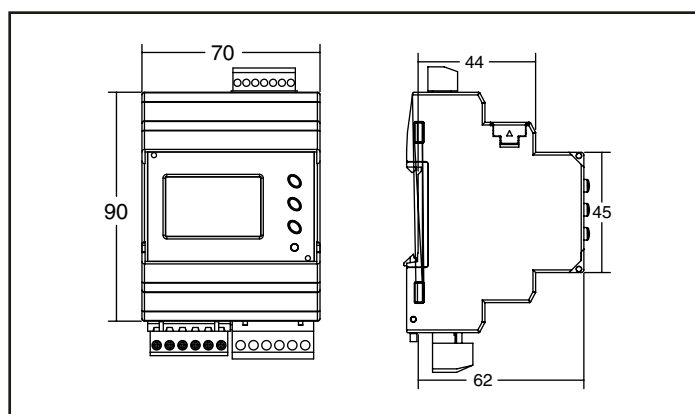
Environmental Specifications

Temperature	Operating Temperature: -10 to +55° C Storage Temperature : -20 to +75° C
Humidity (non-condensing)	Upto 85% RH

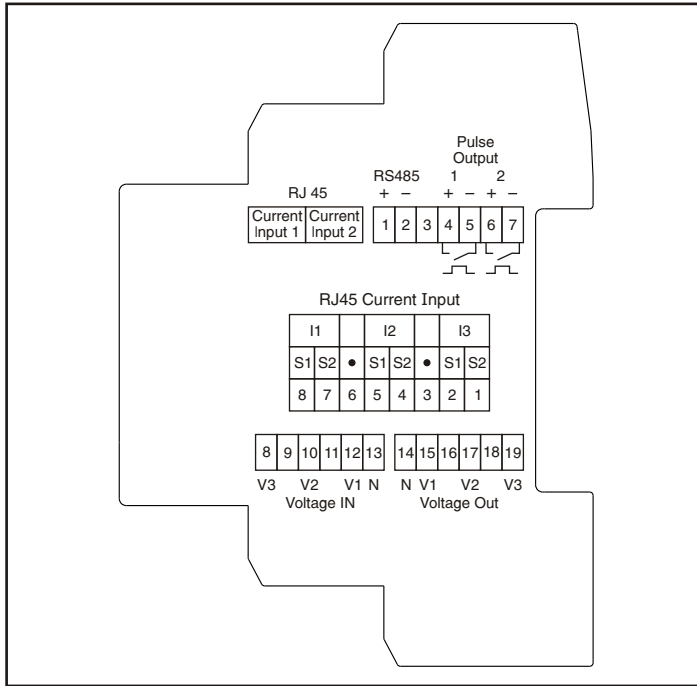
Mechanical Specifications

Mounting	Din Rail mount
----------	----------------

Dimensions (All dimensions are in mm)



Terminal Connections



Ordering Information

Part No.	Output		Certification
	Pulse Output	Commn (RS485)	CE RoHS
MRJ4M-SL	■	■	■