

Premium partner “Made in Germany”



Development/Engineering

- State of the art development tools: AutoCAD, 3D printers
- Mold-Flow Simulation : optimised form-filling, die-cast balancing, dwell pressure analysis and WT temperature control
- Close cooperation with universities and international granulate manufacturers
- Work according to international standards such as: CE, VDE, DIN, ÖVE etc.

Manufacturing

- 32 injection moulding machines, mainly by brand manufacturer Arbug, up to 1,250 t Closing force

Highly automated production processes:

- RESA fully automatic machine
- Carousel table for screw feed
- Pneumatic transfer piping
- Storage plant for storage of socket boxes
- Fully automatic packing machine
- Automatic labeller



Cavity wall socket boxes with press-out membrane, windproof

You can push cables or pipes without any additional tools through the membranes of our guaranteed windproof cavity wall socket boxes, saving valuable working hours. The model E4000 has an increased and guaranteed windproof press-out membrane pulled up the sides for pipes up to 25 mm; which is ideal for prefabricated houses. Of course, all models in this series are VDE certified.

- Guaranteed windproof
- Easy to install
- Easy handling without additional tools
- Material: Polypropylene, TPE
- Cut-out opening Ø 68 mm

Item No.	Type	Design	Depth, socket box (mm)	Colour	SU	CB	PL
7360008	E2000	Cavity wall socket box	47	orange	20	300	6000
7360011	E3500	Socket box	61	orange	20	240	4800
7360014	E4000	Socket box, for pipe connections up to 25 mm	61	orange	20	240	4800



Cavity wall junction box with press-out membrane, windproof

- Guaranteed windproof
- Easy to install
- Easy handling without additional tools
- Material: Polypropylene, TPE
- Cut-out opening Ø 120 mm
- White cover included in scope of delivery

Item No.	Type	Design	Depth, socket box (mm)	Colour	SU	CB	PL
7360016	E816	including cover	120	orange	20		1280



Plug connections with press-out membrane, windproof

- Ingenious, simple and reliable
- Windproof, and suitable for retrofitting
- For all flexible insulation pipes
- Essential item in any service vehicle

Item No.	Type	Design	Colour	SU	CB	PL
9930014	E06	for pipes with external Ø of 16 mm, (inside Ø 11 mm)	grey	50		
9930015	E07	for pipes with external Ø of 20 mm, (inside Ø 15 mm)	grey	50		
9930016	E08	for pipes with external Ø of 25 mm, (inside Ø 19.5 mm)	grey	50		
9930017	E09	for pipes with external Ø of 32 mm, (inside Ø 25 mm)	grey	50		
9930018	E10	for pipes with external Ø of 40 mm, (inside Ø 31.5 mm)	grey	50		

Cavity wall installation, windproof

Cavity wall electronics box

Technology, that excites! The new electronics box sets new standards for cavity wall installations. It doesn't get any faster! The comfortable one-hole installation saves time while still providing all the advantages of a twin socket. This way you have space for e.g. keeping to the bending radius, especially when installing data cables, or you can install electronic components in the side tunnel.

- 70% savings in installation time
- One-hole installation
- Connection space at the sides for all standard relays and actuators.
- Keeping to the bending radius for network cables is easily possible



Item No.	Type	Design	Colour	SU	CB	PL
7350066	E5000	Cavity wall electronics box	orange	10	100	2000

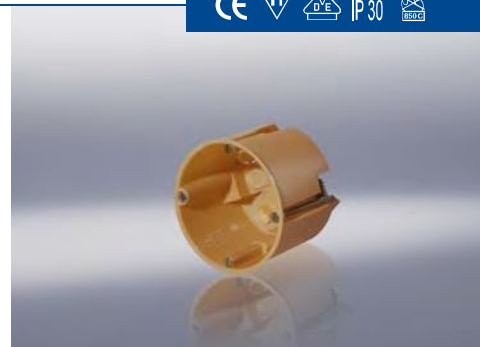
Available from 3rd quarter 2014.

Cavity wall socket boxes

The proven design with metal fixing claws for a time cost efficient installation in cavity walls.

- With pre-assembled fitting screws
- With pre-stamped push-out openings for cables and pipes
- Material: Polypropylene
- Cut-out opening Ø 68 mm

Item No.	Type	Design	Depth, socket box (mm)	Colour	SU	CB	PL
7350045	E135	Socket box, flat	35	orange	20	300	6000
7350025	E115	Socket box	47	orange	20	300	6000
7350035	E117	Socket box	61	orange	20	240	4800
7350041	E118	Double version	47	orange	10	100	2000



Halogen-free cavity wall socket boxes

- Cut-out opening Ø 68 mm

Item No.	Type	Design	Depth, socket box (mm)	Colour	SU	CB	PL
7350029	E115HF	Socket box	47	white	20	300	6000
7350037	E117HF	Socket box	61	white	20	240	4800





Cavity wall junction box

- Cut-out opening Ø 74 mm
- E112H screw cover included in scope of delivery

Item No.	Type	Design	Depth, socket box (mm)	Colour	SU	CB	PL
7350043	E119	including screw cover	50	orange	1	200	4000



Cavity wall junction box

- Screw cover 107 x 107 mm, white included in scope of delivery

Item No.	Type	Design	Colour	SU	CB	PL
7350033	E116	including screw cover, 107 x 107 mm	orange	1	80	1600



Cavity wall junction box

- Cut-out opening Ø 120 mm
- White cover included in scope of delivery

Item No.	Type	Design	Colour	SU	CB	PL
7350046	E815	including screw cover	orange	1	200	10000



Cavity wall outlet box

- Cut-out opening Ø 35 mm
- White cover included in scope of delivery

Item No.	Type	Design	Depth, socket box (mm)	Colour	SU	CB	PL
7350044	E134	including cover	45	orange	20	500	10000

Cavity wall installation



Universal screw covers

- For VDE-approved covering of sockets and junction boxes.
- Ø 92 mm, for socket boxes, Ø 60 mm and for junction boxes Ø 70 mm
- With 5 pre-stamped screw holes for double or single-screw attachment
- Including 2 fastening screws (15 mm)

Item No.	Type	Design	Colour	SU	CB	PL
7390022	E112H	suitable for all socket and junction boxesn Ø 60 and 70 mm, without socket box, including 2 screws	white	50	1000	



Spring covers

- Stable, impact-resistant plastic design
- Wide fitting springs
- With bevelled edge for flush fitting against the wall

Item No.	Type	Design	Colour	SU	CB	PL
7390016	E109A	for socket boxes Ø 60 mm	white	50	1000	20000
7390015	E109	for junction boxes Ø 70 mm	white	50	800	16000



Fitting screws

Item No.	Type	Design	SU	CB	PL
9920005	E152/16	Screws, 3.2 x 15 mm	100	20000	
9920007	E152/25	Screws, 3.2 x 25 mm	100	15000	
9920009	E152/40	Screws, 3.2 x 40 mm	100	10000	



Bus holders

The self-adhesive bus holder allows for quick finding of cables in plaster wall boards. The dry wall constructor hammers a hole and lets the central spine protrude; this serves for centring the drill bit. This guarantees quick drilling without remeasuring of the installation positions being required.

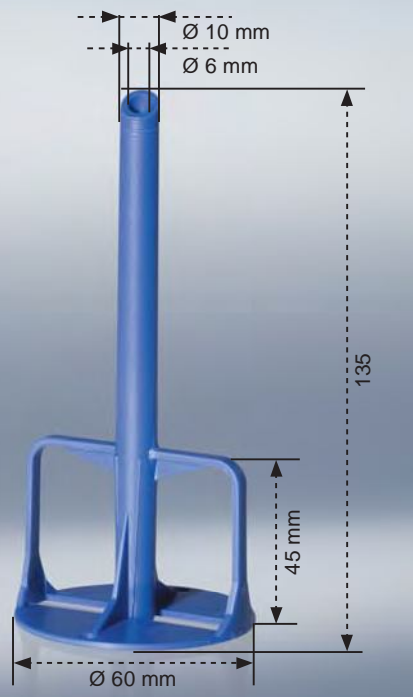
Advantages at a glance

- Safe finding of cables in closed walls
- Centring of drilling for placing installation boxes
- No unnecessary removal of insulation materials
- No damage to cavity walls, C-profiles or insulation material by drilling to find the cables
- Great savings in time and costs
- For combinations, only one bus holder may be glued on, the other boxes can be drilled by means of the drilling template



Bus holder

Item No.	Type	Design	SU	CB	PL
P001	HWLT1	Bus holder including adhesive disc	50		
P102	BOS2	Drilling template for cavity wall box with plastic bushing	1		
P005	KDKS	Adhesive disc	50		



Drilling template
Ideal accessory for bus holders

Drilling template

for cavity wall boxes

- Straight and precise
- Work quicker and more exact
- 5-way combinations are also possible



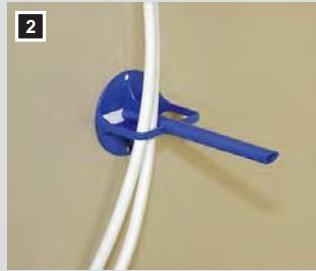
Adhesive disc
for bus holders

Accessories for cavity wall installation

Enormous savings in time – no more looking for cables



1 Adhesion of the bus holder on the reverse side of the first cladding



2 Pulling through of the cables and pipes. (You will be amazed by the enormous hold of the adhesive disc).



3 The dry wall constructor hammers a hole and lets the central spine protrude; this serves for centring the drill bit.



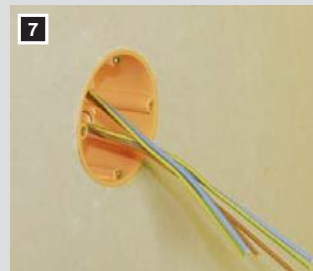
4 You can now cut-out the hole without remeasuring the installation site.



5 Pull bus holder and cables out of the wall.



6 Install the cavity wall box without laborious searching for cables in the wall.



7 Completed installation – quick and easy.



8 Also suitable as cable bus holder in suspended ceilings. No drilling, simple stick on and your finished.

Enormous savings in time – no more looking for cables



1 Drilling of central hole



2 Precise alignment with the integrated spirit level.



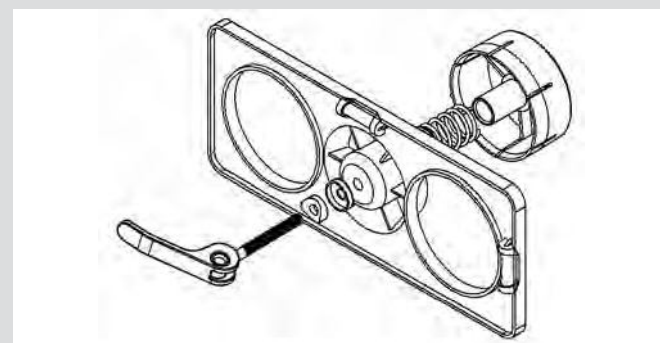
3 Thereafter, drill through the existing hole inserts.



4 Fixing the drilling template with the spanner.



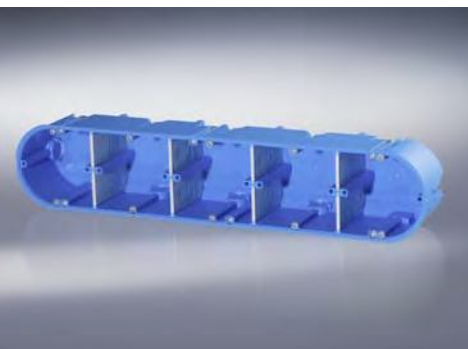
5 Inserting the template.



Installation of a cavity wall box with installation aid / drilling template

Installation aid for 68 mm cavity wall box-combinations with a keyhole saw.

An absolute must for all installers of electric cavity wall boxes into wooden walls, gypsum plaster boards or other types of cavity walls!



Cavity wall installation, solid

Our solid multiple-cavity wall boxes are equipped with variable baffles that allow for a flexible installation. The push-out openings facilitate inserting cables. Depending on model, they are delivered with 4, 6, 8 or 10 fitting screws.

- Extremely solid material, high wall thickness
- Flexible installation thanks to variable baffles
- The push-out openings for easy insertion of cables
- For 4 and 5-way designs, additional push-out openings on sides for cable channels or pipes up to \varnothing 16 mm.

Item No.	Type	Design	Depth (mm)	Colour	SU	CB	PL
7350061	HW10	Cavity wall socket box, solid, 1-way, 1 x \varnothing 60 mm	63	blue	20		
7350062	HW20	Cavity wall socket box, solid, 2-way, 2 x \varnothing 60 mm	63	blue	10		
7350063	HW30	Cavity wall socket box, solid, 3-way, 3 x \varnothing 60 mm	63	blue	5		
7350064	HW40	Cavity wall socket box, solid, 4-way, 4 x \varnothing 60 mm	63	blue	5		
7350065	HW50	Cavity wall socket box, solid, 5-way, 5 x \varnothing 60 mm	63	blue	5		



Accessories, multiple cavity wall boxes

- Semi-circular or square flush-mounted covers allow for the covering of the complete connection space of the multiple box.
- For a flush fitting against the wall, the covers are installed on the top box edge.
- Suitable for separate covering of half of a box, allowing use of the second half as additional installation space.

Item No.	Type	Design	Colour	SU	CB	PL
7310108	HWD1	Flush-mounted covers, semi-circle for multiple cavity wall socket boxes	white	50		
7310109	HWD2	Flush-mounted cover, square for multiple cavity wall socket boxes	white	50		